

GENERAL PHYSICS



ELECTRONIC PROJECTS

Prof. MARLON FLORES SACEDON

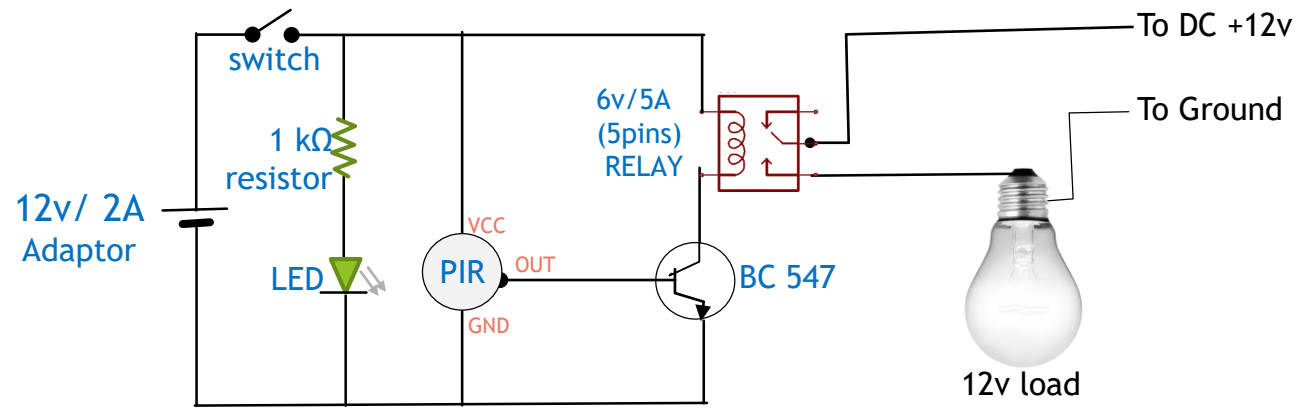
Physics Instructor

Visayas State University

Baybay City, Leyte

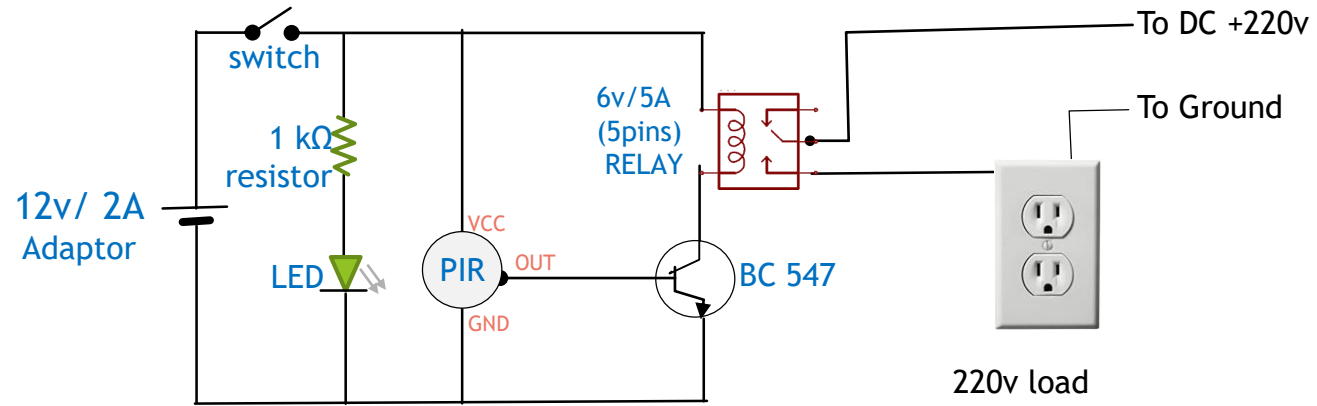
Motion detector

Schematic Diagram



Motion detector

Schematic Diagram



LABORATORY PROJECT [Group project (3 students)]

Title: Motion Detector

LIST OF MATERIALS

- 1 pc 12v/2A Adaptor



- 1 pc Jack Socket Female for 12v adaptor



- 1 pc transistor BC 547



- 1 pc Electronic switch



- 1 pc Relay 12v/5A (5pins)



- 1 pc PIR Motion Sensor HC-SR501



- 1 pc small LED (for power indicator)



- 1 pc 1k Ω , 1/4 W resistor

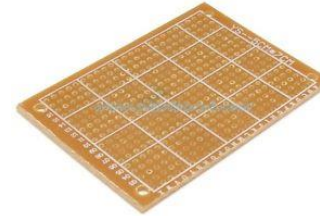


LABORATORY PROJECT [Group project (3 students)]

Title: Dark Activated Circuit

LIST OF MATERIALS

- 1 pc Solder dot prototyping board (1.5 in x 2.5 inch)



- 1 pc Electronic project box (plastic) or any box



- Electronic wires



Other materials needed

- Soldering iron



- Soldering lead



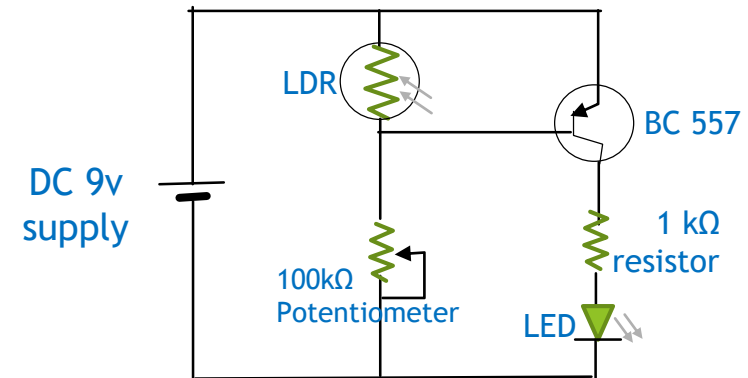
- Connecting wires



- Plier and cutter



Dark Activated Circuit [for practical exam]



Schematic Diagram

LABORATORY PRACTICAL EXAM [Individual]

Title: Dark Activated Circuit

LIST OF MATERIALS [Individual student] Deadline: Next meeting

- 1 pc 9v Battery (dry cell)



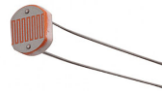
- 1 pc 9V Battery Connector Clip Snap On Plug



- 1 pc transistor BC 557



- 1 pc Light Dependent Resistor (LDR)



- 1 pc 100k potentiometer



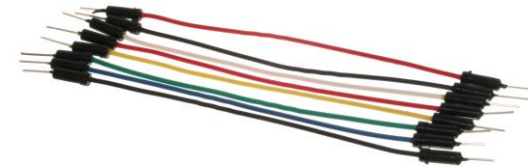
- 1 pc small LED (for power indicator)



- 1 pc 1kΩ, ¼ W resistor



- Connecting wires



- 1 pc Bread board

